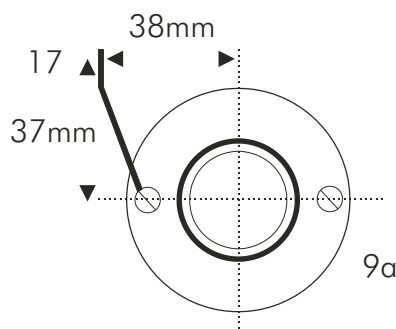
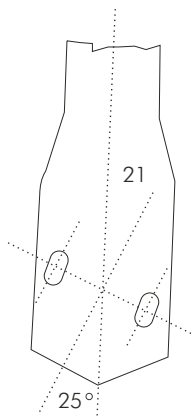
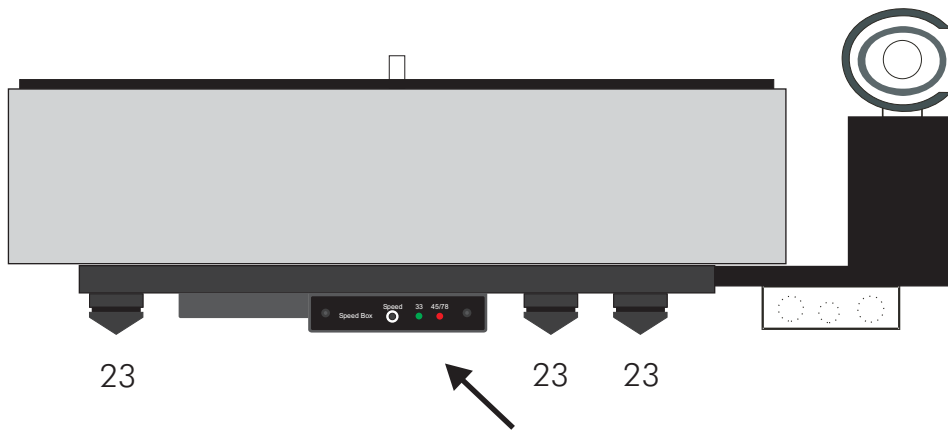
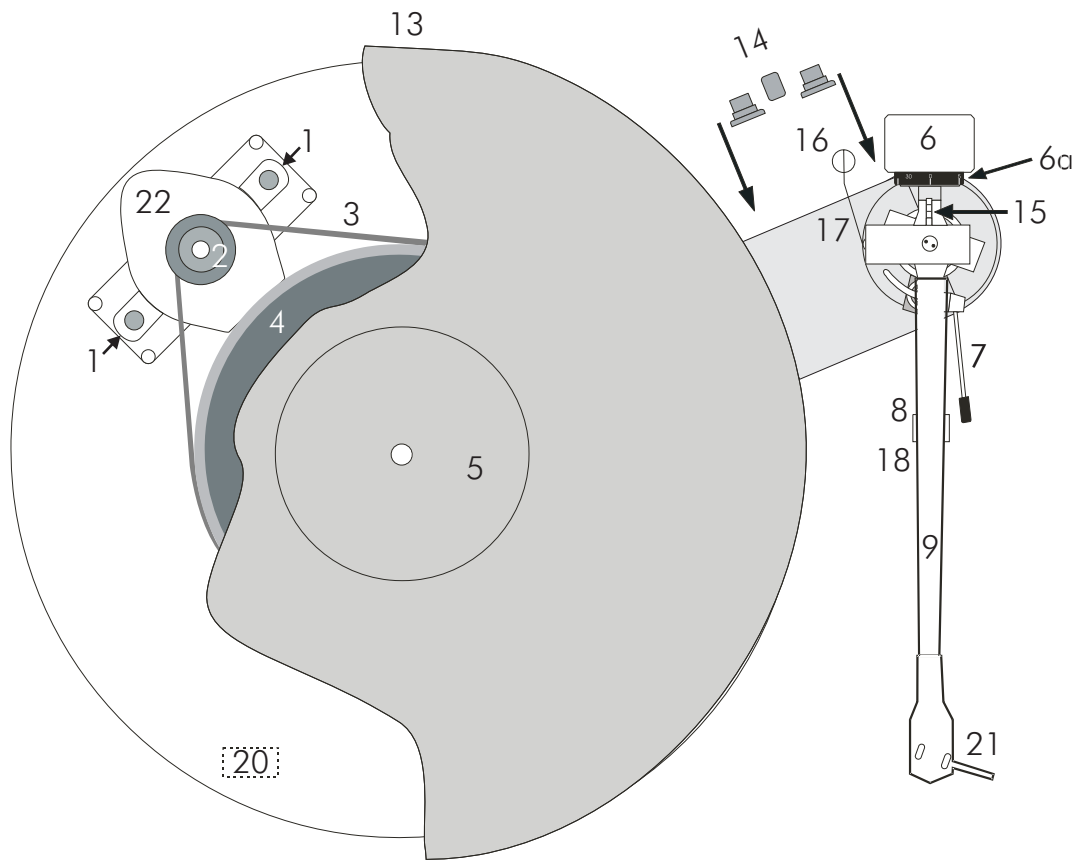




INSTRUCTIONS FOR USE
Pro-Ject RPM 6.1 SB



Pro-Ject RPM 6.1 SB

Controls, features and connections

- | | | | |
|------|--|----|-----------------|
| 1 | Motor transportation screw (marked red) | | |
| 2 | Stepped drive pulley | | |
| 3 | Drive belt * | 3a | Hook |
| 4 | Hub * | | |
| 5 | Sandwich platter * | | |
| 6 | Tonearm counterweight * | 6a | Downforce scale |
| 7 | Tonearm lift lever | | |
| 8/18 | Tonearm rest and removable transport lock | | |
| 9 | Tonearm tube | 9a | Tonearm base |
| 13 | Power supply socket | | |
| 14 | Phono output sockets and earth connection | | |
| 15 | Anti-skating weight adjustment scale | | |
| 16 | Anti-skating weight * | | |
| 17 | Anti-skating weight support hoop | | |
| 20 | Power switch | | |
| 21 | Headshell with finger lift * | | |
| 22 | Motor | | |
| 23 | Adjustable tip-toe feet with anti-scratch cups * | | |
| 24 | Speed selector | | |
| | Record weight (not shown) * | | |
| | Connection cable (not shown) * | | |
| | Power supply (not shown) * | | |
| | Single adapter (not shown) * | | |

Dear music lover,
thank you for purchasing a PRO-JECT AUDIO record player.

In order to achieve maximum performance and reliability with this record player you should study these instructions for use carefully.



Warning of a hazard for the user, the unit or possible misuse.



Important notice.

During assembly and adjustment of the deck small parts could be lost if not carefully placed in a suitable receptacle.

Before starting assembly make yourself acquainted with the parts listed above and correspondingly numbered in the technical drawings above. Separately packed items are marked with an asterisk *.

Set-up

The deck is supplied partially disassembled and carefully packaged for safe transport. Carefully remove all parts from the transport packaging.

Screw the two feet (23) onto the threaded bolts located on the underside of the plinth. Make sure the surface you wish to use the turntable on is level (use a spirit level) before placing the turntable on it.

Remove the two red transport screws (1) which secure the motor (22) during transportation. Carefully place the hub (4) bearing housing over the bearing axle. Level the plinth using a spirit level and the adjustable feet (23).

Fit the drive belt (3) around the hub (4) and the smaller diameter part of the motor pulley (2). Avoid getting sweat or grease on the belt as these will deteriorate the performance and reduce the belt's lifespan. Use absorbent kitchen paper to remove any oil or grease from the outer edge of the hub and the belt. Fit the platter over the spindle of the hub.

Remove the transport lock (18) from the tonearm. Store it together with the two red motor transport screws (1) in the original packaging so they are available for any future transportation.



We recommend to use the record player without a mat on the platter.

Fitting and connecting the cartridge

All cartridges with half inch mounting holes can be fitted. Leaving the needle's protection cover on, fit the cartridge to the headshell using the screws supplied with the cartridge by passing one screw through each slot in the headshell (21). Do not tighten the nuts yet.

Connect the tonearm wires to the cartridge pins as follows:

white	left channel positive (L+)
red	right channel pos. (R+)
green	right channel return (R -)
blue	left channel return (L -)

The full sound quality of the record player can only be achieved if the cartridge is correctly adjusted. Particular tools like the PRO-JECT alignment tool are required to accomplish this job properly.

If you are not well acquainted with the adjustment of cartridges you are advised to call upon the willing help of your PRO-JECT dealer to accomplish this task for you.



*The finger lift (21) must be fitted on top of the headshell under the cartridge fixing bolts or nuts - **not** between headshell and cartridge body.*

Please note: adjusting a cartridge and tonearm calls for the greatest care in order to avoid damaging the cartridge or tonearm bearings. Leave this work to your dealer if you are in any way unsure of the necessary steps and precautions to be taken.

Cartridge downforce adjustment

The counterweight (6) supplied is suitable for cartridges weighing between 6 - 10g (counterweight no. 2). Alternative counter-weights for cartridges weighing between 10 - 15g (counterweight no. 3), 9 - 11g (counterweight no. 23) or 4 - 6g (counterweight no. 9) are available as accessory parts. Adjust the downforce prior to installing the anti-skating weight.

Pushing carefully, turn the counterweight (6) onto the rear end of the tonearm tube (9), so that the downforce scale (6a) shows towards the front of the player. Lower the armlift and position the cartridge in the space between arm rest and platter. Carefully rotate the counterweight (6) until the armtube balances out. The arm should return to the balanced position if it is moved up or down. This adjustment must be done carefully. Do not forget to remove the cartridge protection cap if fitted.

Once the arm is correctly balanced return it to the rest. Hold the counterweight (6) without moving it, and gently revolve the downforce scale ring (6a) until the zero is in line with the anti-skating prong (15). Check whether the arm still balances out.

Rotate the counterweight counter clockwise (seen from the front) to adjust the downforce according to the cartridge manufacturer's recommendations. One mark on the scale represents 1 mN (= 0,1g / 0,1 Pond) of downforce.

Adjusting the vertical tracking angle (vta)

Put a record and the record weight on the platter. When the needle is lowered into the record groove and the tonearm is not resting on the lift arm, the tube of the tonearm should be parallel to the surface of the record.

If it is not loosen both hexagon screws in the tonearm base just enough to allow vertical movement of the arm pillar without force and slide the arm up or down until it is parallel.

Carefully retighten the hexagon screws without applying excessive force (which would deform the arm pillar) – finger tight is quite sufficient.

Adjusting the azimuth

The cartridge needle must be vertical in the record groove in order to trace the groove wall modulations correctly.

A small screw at the bearing end of the arm allows incorrect azimuth to be corrected if your needle is not mounted exactly perpendicular to the cartridge body (which is often the case).

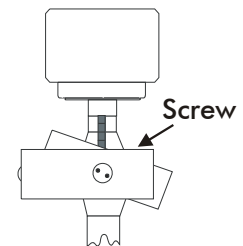
Slacken off the screw just enough to be able to revolve the arm tube without applying force. Please note: do not remove the screw completely!

With the aid of a good magnifying glass adjust the needle until it is vertical in the groove (i.e. perpendicular to the record's surface). Ideally this should correspond to the top surface of the cartridge body being parallel to the record surface.

When you are satisfied that the needle is vertical retighten the screw carefully.



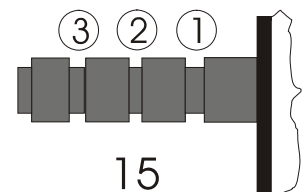
Under no circumstances should the arm tube be adjusted with the needle still in the record groove! Irreparable damage may be caused to the cantilever suspension! The arm must be lifted to make each adjustment and lowered afterwards to check it.



Anti-skating force adjustment

The anti-skating force must be adjusted corresponding to the downforce as follows:

<u>Downforce</u>	<u>Groove in the stub (15)</u>
10 - 14mN	1 st from bearing rings
15 - 19mN	2 nd " " "
20mN and bigger	3 rd " " "



Hang the loop of the thread of the anti-skating weight in the groove of the anti-skating stub (15) corresponding to the downforce applied to your cartridge and feed the thread through the loop of the wire support (17).

Connection to the amplifier

The record player has gold plated female RCA phono sockets (14) so you can substitute the interconnect cables supplied with higher quality cables such as the **Pro-Ject Connect it** interconnect cables for connection to the amplifier if you wish.

Use the Phono input (sometimes labelled gram, disc or RIAA) on your amplifier. Make sure that the phono input offers correct matching and amplification for the type of cartridge used. Line inputs (such as CD, Tuner, Tape or Video) are not suitable.

Take care to connect the left and right channels correctly. The right channel is usually marked red, the left channel black or white. Check the manual supplied with your amplifier for relevant information. An earthing wire may be connected to the screw terminal between the sockets if you encounter hum problems when using the record player.

If your amplifier does not have an input suitable for phono cartridges you will require a separate phono amplifier stage for MM or MC cartridges which is then connected between the record player and a free line level input of the amplifier.

For detailed product information regarding Pro-Ject Audio interconnect cables and phono amplifiers please refer to the Pro-Ject web site www.project-audio.com.

Mains power connection

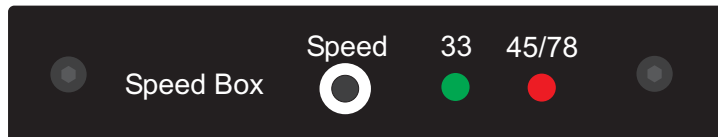
The turntable is supplied with a power supply suitable for your country's mains supply. Check the label before connecting to ensure compliance with the mains rating in your house.

Connect the low voltage plug from the power supply to the socket (13) on the rear of the record player before connecting the power supply to the mains.

Switching on and off

Pressing the power switch (20) alternately starts or stops the motor.

Changing replay speed



Press the speed change button (24) to switch between 33 and 45 r.p.m.. The selected speed is shown respectively by the lit green LED (33 r.p.m.) or red LED (45 r.p.m.).

To replay records at 78 r.p.m. perform the following steps: Remove the platter (5) and using the tool (3a) from the accessory kit. Fit the belt (3) around the larger diameter step of the pulley (2). Replace the Platter, start the turntable at 33 r.p.m. and switch the speed to 45 r.p.m., the platter will then revolve at 78 r.p.m..

To play at 45 or 78 r.p.m. please always start the turntable at 33 r.p.m. and then switch to the higher speed when it has attained full speed.

Maintenance and cleaning

Your record player requires little or no regular maintenance. Remove dust with a slightly moistened antistatic cloth. Never use a dry cloth because this will create static electricity which attract more dust! Antistatic cleaning fluids are available at specialist stores but must be applied sparingly to avoid damage to rubber parts. It is recommended to fit the needle cover before cleaning or maintenance is carried out to avoid damage.

If the player is not used over a long period of time the drive belt can be removed to prevent unequal stretching.



Always disconnect the record player from the mains power supply as a precaution before maintenance!

Useful tips

The record player should be positioned on a low-resonance surface such as wood or multiple layer ply board to avoid structural vibrations disturbing replay.

Technical specifications PRO-JECT RPM 6.1 SB / Pro-Ject 9c

* Electronic speed change	33/45 and 78 r.p.m.
Speed variance	±0,5 %
Wow and flutter	±0,08 %
Signal to noise	70dB
Effective tonearm mass	11g
Effective tonearm length	9 " (230mm)
Overhang	18mm
Power consumption	6W
Outboard power supply	16V/500mA AC, suitable for your country's mains supply
Dimensions (W x H x D)	385 x 170 x 330mm
Weight	8kg

Potential incorrect use and fault conditions

Pro-Ject turntables are manufactured to the highest standards and undergo strict quality controls before leaving the factory. Faults that may possibly occur are not necessarily due to material or production faults but can sometimes be caused by incorrect use or unfortunate circumstances. Therefore the following list of common fault symptoms is included.

The platter doesn't turn although the unit is switched on:

- The unit is not connected to the mains power supply.
- No mains at the socket.
- Drive belt is not fitted or has slipped off.

No signal through one or other channel or both channels:

- No signal contact from the cartridge to the internal tonearm wiring or from that to the arm lead or from that to the phono box or between that and the amplifier. This could be due to a faulty plug, broken wire or solder joint or simply loose plug/socket connection.
- Phono input not selected at amplifier.
- Amplifier not switched on.
- Amplifier or speakers defective or muted.
- No connection to the loudspeakers.

Strong hum on phono input:

- No earth connection from cartridge or arm or arm cable to amplifier, or earth loop.

Distorted or inconsistent sound from one or both channels:

- Record player is connected to wrong input of amplifier, or MM/MC switch incorrectly set.
- Needle or cantilever damaged.
- Wrong r.p.m., drive belt overstretched or dirty, platter bearing without oil, dirty or damaged.

Service

Should you encounter a problem which you are not able to alleviate or identify despite the above information, please contact your dealer for further advice. Only when the problem cannot be resolved there should the unit be sent to the responsible distributor in your country.

Guarantee repairs will only be effected if the unit is returned correctly packaged. For this reason we recommend keeping the original packaging.

Never return a record player without making sure that it is safely disassembled and correctly packaged in the original packaging according to the diagrams on the last page of this user guide. Please remove these parts and pack them separately: counterweight (6), anti-skating weight (16) platter (5) and belt (3). Fit the cartridge protection cap. Insert the transport screws for the motor (1) and the transport lock for the tonearm (18) prior to carefully packaging the record player.

Warranty



The manufacturer accepts no responsibility for damage caused by not adhering to these instructions for use and/or by transportation without the original packaging. Modification or change to any part of the product by unauthorized persons release the manufacturer from any liability over and above the lawful rights of the customer.

PRO-JECT is a Registered Trademark of H. Lichtenegger.

This guide was produced by: Audio Trade GmbH
Copyright © 2005. All rights reserved.

The information was correct at the time of going to press. The manufacturer reserves the right to make changes to the technical specification without prior notice as deemed necessary to uphold the ongoing process of technical development.

